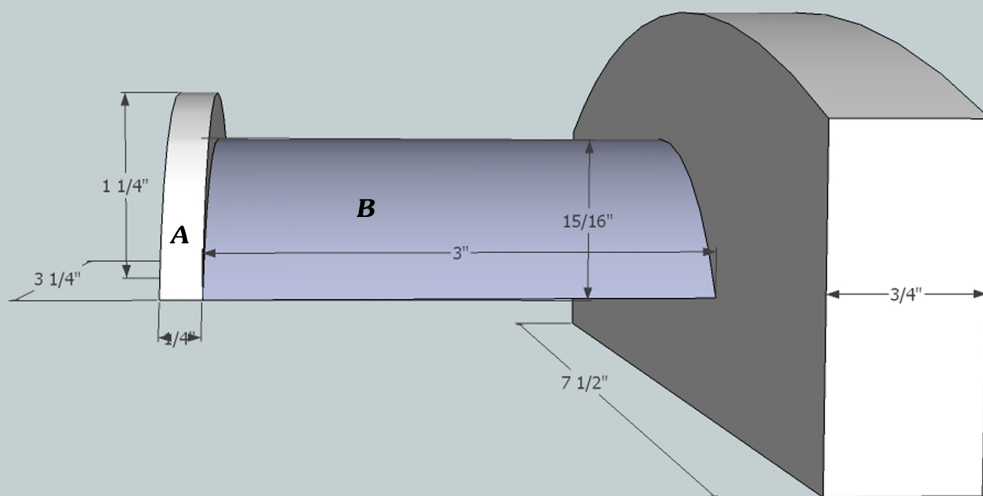


W Home Built WORKSHOP

Headphone and Cable Wall Hanger



This project can be made to hold as many or as few cables or headphones as you want. In my testing, I found that $7\frac{1}{2}$ " was a good fit for a regular pair of Studio type headphones, or a coiled up cable. To accomodate multiple pairs, just double, or triple the plan until you have the size you want. It is completely scalable.

Below are some cutting templates for cutting the two different radiiuses on the holder indicated by the letters A and B.

